



PROJECT	DATE
TYPE	CATALOG #

# E.T. PATH

## PATH LIGHT

### PS-113B

#### KEY FEATURES

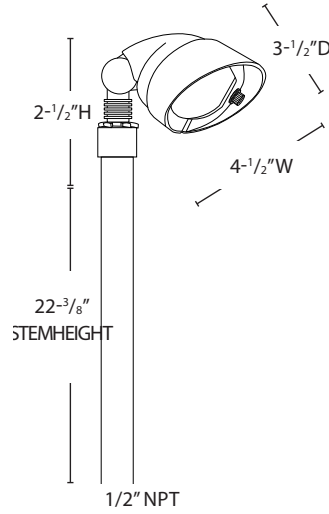
- CAST BRASS
- DIRECTIONAL PATH LIGHT
- NATURAL BRONZE AND BLACK FINISHES AVAILABLE
- TEMPERED, SHOCK AND HEAT RESISTENT LENS
- HIGH TEMPERATURE CERAMIC SOCKET
- FIELD REPLACEABLE LED LAMP
- LIFETIME WARRANTY ON BRASS MATERIAL
- DIMMABLE+

#### PRODUCT SPECIFICATIONS

MATERIAL	CAST BRASS
FINISH	NATURAL BRONZE OR BLACK
LENS	FROST AND CLEAR INCLUDED
SOCKET	BI-PIN
LAMP	T3/G4
VOLTAGE	12V
LIGHT SPREAD	5 X 10 FT AVG
LEAD WIRE	3 FT



SHOWN IN NATURAL BRONZE  
ALSO AVAILABLE IN BLACK



#### STEP 1

#### FIXTURE CONFIGURATION

**PS-113B**

FINISH

NBZ NATURAL BRONZE

BK BLACK

#### STEP 2

#### ACCESSORY OPTIONS

**AX-800P**

INCLUDED

STAKE OPTION

AX-802P HEAVY DUTY PERMA POST

#### STEP 3

#### LED LAMP CONFIGURATION

**LED-T3**

LED WATTAGE

1.5W 110 LM

2.5W 210 LM

3.5W 280 LM

5W\* 400 LM

6W\* 480 LM

KELVIN TEMPERATURE

27K 2700K

30K 3000K

ENCAPSULATED

ENC ENCAPSULATED (IP67)

ONLY AVAILABLE IN

1.5W, 2.5W & 3.5W

+ Dimmable: +Fully tested with Lutron Diva (DVLV-600P) dimmer and Lightcraft dimmable transformers and LED lamps.

See [Encapsulated T3 LED Lamps Spec Sheet](#) for additional details (1.5w, 2.5w, 3.5w only)

\* 5w & 6w: Only available in Non-Encapsulated - (Non-Dimmable)