

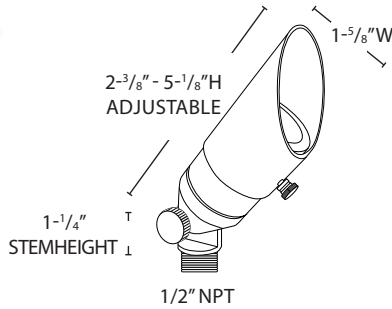


PROJECT	DATE
TYPE	CATALOG #

# LITTLE SMOKY

## FL-104B

SHOWN IN NATURAL BRONZE  
ALSO AVAILABLE IN BLACK



### KEY FEATURES

- FULLY ADJUSTABLE SHROUD FOR GLARE CONTROL
- CAST BRASS
- NATURAL BRONZE AND BLACK FINISHES AVAILABLE
- TEMPERED, SHOCK AND HEAT RESISTANT LENS
- HIGH TEMPERATURE CERAMIC SOCKET
- FIELD REPLACEABLE LED LAMP
- DIMMABLE+

### PRODUCT SPECIFICATIONS

MATERIAL	CAST BRASS
FINISH	NATURAL BRONZE OR BLACK
LENS	CLEAR FLAT TEMPERED
SOCKET	BI PIN
LAMP	MR11
VOLTAGE	12V AC/DC
PROJECTION	UP TO 20 FT
LEAD WIRE	3 FT



ETL LISTED  
COMPLIES WITH UL1838

### STEP 1

#### FIXTURE CONFIGURATION

**FL-104B**

FINISH

NBZ NATURAL BRONZE

BK BLACK

### STEP 3

#### ACCESSORY OPTIONS

**AX-800P**

INCLUDED

STAKE OPTION

AX-802P HEAVY DUTY PERMA POST

SURFACE/TREE MOUNT OPTION

AX-803B DEEP ROUND BASE

AX-912B TREE STRAP-RATCHET MOUNT

### STEP 2

#### LED LAMP CONFIGURATION

**LED-MR11**

LED WATTAGE

2.5W 180 LM

KELVIN TEMPERATURE

27K 2700K

30K 3000K

BEAM ANGLE

40D 40° STANDARD

80D 80° WIDE

+ Dimmable: See MR11 LED Lamps Spec Sheet for additional details