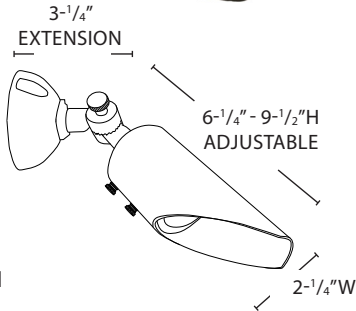




SHOWN IN NATURAL BRONZE  
ALSO AVAILABLE IN  
BLACK OR WHITE



PROJECT	DATE
TYPE	CATALOG #

## BIG SMOKY DOWNLIGHT DL-105B

### KEY FEATURES

- SURFACE MOUNT BASE INCLUDED (AX-803B)
- FULLY ADJUSTABLE SHROUD FOR GLARE CONTROL
- CAST BRASS
- NATURAL BRONZE AND BLACK FINISHES AVAILABLE
- POWDER COAT WHITE FINISH AVAILABLE
- TEMPERED, SHOCK AND HEAT RESISTENT LENS
- HIGH TEMPERATURE CERAMIC SOCKET
- FIELD REPLACEABLE LED LAMP
- DIMMABLE+

### PRODUCT SPECIFICATIONS

MATERIAL	CAST BRASS
FINISH	NATURAL BRONZE, BLACK OR WHITE
LENS	CLEAR CONVEX
SOCKET	BI PIN
LAMP	MR16
VOLTAGE	12V
PROJECTION	UP TO 50 FT
LEAD WIRE	3 FT

### STEP 1

#### FIXTURE CONFIGURATION

**DL-105B**

FINISH

NBZ NATURAL BRONZE  
BK BLACK  
WT WHITE

### STEP 2

#### LED LAMP CONFIGURATION

**LED-MR16**

LED WATTAGE

3.5W 250 LM  
4.5W 350 LM  
5.5W 420 LM  
7W 500 LM

KELVIN TEMPERATURE

27K 2700K  
30K 3000K

BEAM ANGLE

15D 15° NARROW \*  
45D 45° STANDARD  
60D 60° WIDE

\* 15° Only available in 3.5w and 5.5w - 2700k or 3000k

+Fully tested with Lutron Diva (DVLV-600P) dimmer and Lightcraft dimmable transformers and LED lamps.