



PROJECT	DATE
TYPE	CATALOG #

MASONRY LIGHT 7

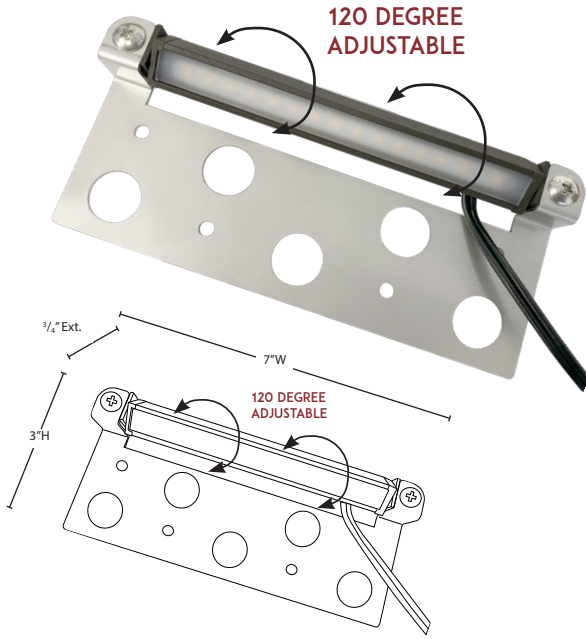
LED-ML-7-ADJ

KEY FEATURES

- ADJUSTABLE LED FOR PRECISE AIMING (120 DEGREE)
- IDEAL FOR COLUMNS, RETAINING WALLS & BENCHES
- FIELD REPLACEABLE LED
- HEAVY DUTY REMOVEABLE STAINLESS STEEL MASONRY BRACKET
- CAN BE USED WITHOUT BRACKET
- DOT FREE ILLUMINATION

PRODUCT SPECIFICATION

MATERIAL	ALUMINUM
LENS	FROSTED ACRYLIC
WATTAGE	1.2W
LUMENS	80
VOLTAGE	11-13V AC/DC
LIGHT SPREAD	4-6 FT AVG
LEAD WIRE	71" SPT-2
DIMMABLE	YES*
ROTATION	120°



STEP 1 FIXTURE CONFIGURATION

LED-ML-7-ADJ **BZ**

KELVIN TEMPERATURE

27K 2700K
30K 3000K

FINISH

BZ BRONZE



COMPLETE UNIT
MASONRY BRACKET INCLUDED

MODULE UNIT
CAN BE INSTALLED WITHOUT
BRACKET

*PRIMARY SIDE DIMMING: Requires LED magnetic low voltage (MLV) or LED electronic low voltage (ELV) dimmable transformer and compatible LED dimmer (MLV OR ELV) For more information see installation guidelines + Fully tested with Lutron Diva (DVLV-600P) dimmer and Lightcraft dimmable transformers

*LOW VOLTAGE SIDE DIMMING: Requires Lightcraft 12V In Line Dimmer

* Lumens calculated at 3000K (-5% for 2700K)