



PROJECT	DATE
TYPE	CATALOG #

PITCHED PATH

PATH / WASH LIGHT

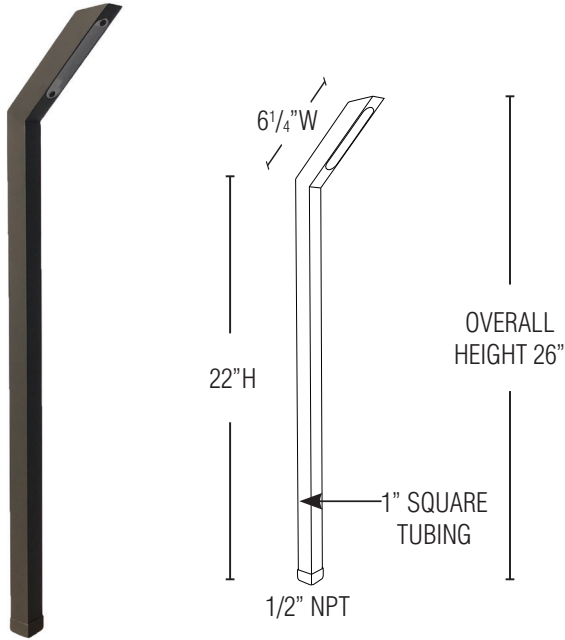
AP-310B

KEY FEATURES

- SOLID BRASS
- CONTEMPORARY DESIGN
- NATURAL BRONZE FINISH GUARANTEED NOT TO CHIP, FLAKE OR PEEL
- TEMPERED, SHOCK AND HEAT RESISTENT LENS
- HIGH TEMPERATURE CERAMIC SOCKET
- FIELD REPLACEABLE LED LAMP
- LIFETIME WARRANTY ON BRASS MATERIAL
- DIMMABLE+

PRODUCT SPECIFICATION

MATERIAL	SOLID BRASS
FINISH	NATURAL BRONZE
LENS	FROST
SOCKET	BI-PIN
LAMP	T3/G4
VOLTAGE	12V
LIGHT SPREAD	6-8 FT AVG
LEAD WIRE	3 FT



STEP 1

FIXTURE CONFIGURATION

AP-310B

FINISH OPTION

NBZ NATURAL BRONZE

STEP 2

LED LAMP CONFIGURATION

LED-T3

LED WATTAGE

1.5W 110 LM

2.5W 210 LM

3.5W 280 LM

KELVIN TEMPERATURE

27K 2700K

30K 3000K

ENCAPSULATED

ENC ENCAPSULATED (IP67)

STEP 3

ACCESSORY OPTIONS

AX-800P

INCLUDED

STAKE OPTION

AX-802P HEAVY DUTY PERMA POST

+ Dimmable: +Fully tested with Lutron Diva (DVLV-600P) dimmer and Lightcraft dimmable transformers and LED lamps.

See [Encapsulated T3 LED Lamps Spec Sheet](#) for additional details (1.5w, 2.5w, 3.5w only)