



PROJECT	DATE
TYPE	CATALOG #

# CONVEX 16 ACCENT LIGHT

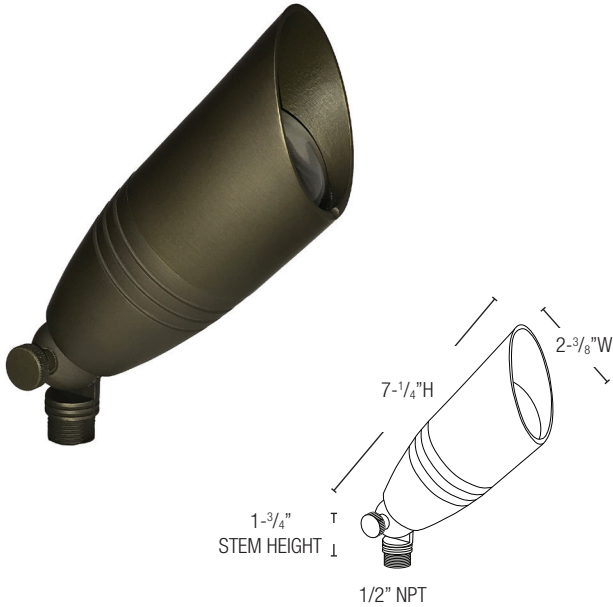
## FL-500B

### KEY FEATURES

- HEAVY CAST BRASS
- NATURAL BRONZE FINISH GUARANTEED NOT TO CHIP, FLAKE OR PEEL
- TEMPERED, SHOCK AND HEAT RESISTENT LENS
- HIGH TEMPERATURE CERAMIC SOCKET
- FIELD REPLACEABLE LED LAMP
- DIMMABLE+

### PRODUCT SPECIFICATIONS

MATERIAL	CAST BRASS
FINISH	NATURAL BRONZE
LENS	CLEAR CONVEX
SOCKET	BI PIN
LAMP	MR16
VOLTAGE	12V
PROJECTION	UP TO 50 FT
LEAD WIRE	3 FT



### STEP 1

#### FIXTURE CONFIGURATION

**FL-500B**

FINISH

NBZ NATURAL BRONZE

### STEP 3

#### ACCESSORY OPTIONS

**AX-800P**  
INCLUDED

STAKE OPTION

AX-802P HEAVY DUTY PERMA POST

SURFACE/TREE MOUNT OPTION

AX-803B DEEP ROUND BASE (NBZ)

AX-804B ROUND BASE (NBZ)

AX-912B TREE STRAP-RATCHET MOUNT

### STEP 2

#### LED LAMP CONFIGURATION

**LED-MR16**

LED WATTAGE

3.5W 250 LM

4.5W 350 LM

5.5W 430 LM

7W 500 LM

KELVIN TEMPERATURE

27K 2700K

30K 3000K

BEAM ANGLE

15D 15° NARROW \*

45D 45° STANDARD

60D 60° WIDE

\* 15° Only available in 3.5w and 5.5w - 2700k or 3000k

+Fully tested with Lutron Diva (DVLV-600P) dimmer and Lightcraft dimmable transformers and LED lamps.