



PROJECT	DATE
TYPE	CATALOG #

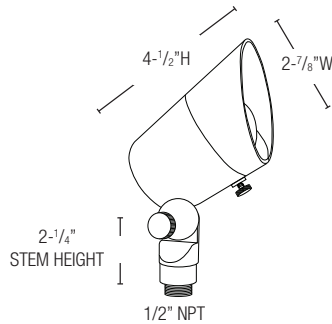
PALM LITER

ALUMINUM ACCENT LIGHT

FL-121A



SHOWN IN BLACK FINISH
(ALSO AVAILABLE IN BRONZE FINISH)



KEY FEATURES

- CAST ALUMINUM
- AVAILABLE IN BRONZE OR BLACK FINISHES
- TEMPERED, SHOCK AND HEAT RESISTENT LENS
- HIGH TEMPERATURE CERAMIC SOCKET
- FIELD REPLACEABLE LED LAMP
- DIMMABLE+

PRODUCT SPECIFICATIONS

MATERIAL	CAST ALUMINUM
FINISH	BRONZE OR BLACK
LENS	CLEAR CONVEX
SOCKET	BI PIN
LAMP	MR16
VOLTAGE	12V
PROJECTION	UP TO 50 FT
LEAD WIRE	3 FT

STEP 1

FIXTURE CONFIGURATION

FL-121A

FINISH OPTION

- BZ BRONZE
- BK BLACK

STEP 3

ACCESSORY OPTIONS

AX-800P
INCLUDED

STAKE OPTION

- AX-802P HEAVY DUTY PERMA POST

SURFACE/TREE MOUNT OPTION

- AX-804A ROUND BASE (BZ OR BK)
- AX-805A TRIANGLE BASE (BZ OR BK)
- AX-912B TREE STRAP-RATCHET MOUNT

STEP 2

LED LAMP CONFIGURATION

LED-MR16

LED WATTAGE

- 3.5W 250 LM
- 4.5W 350 LM
- 5.5W 430 LM
- 7W 500 LM

KELVIN TEMPERATURE

- 27K 2700K
- 30K 3000K

BEAM ANGLE

- 15D 15° NARROW *
- 45D 45° STANDARD
- 60D 60° WIDE

* 15° Only available in 3.5w and 5.5w - 2700k or 3000k

+Fully tested with Lutron Diva (DVLV-600P) dimmer and Lightcraft dimmable transformers and LED lamps.