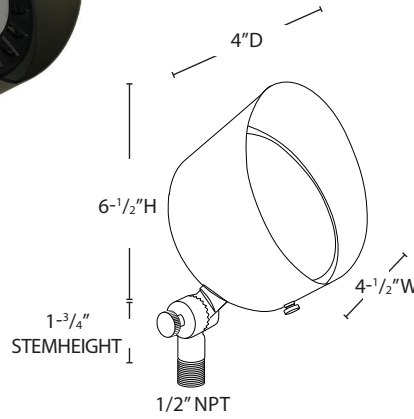




PROJECT	DATE
TYPE	CATALOG #



OAK LITER FL-117B

KEY FEATURES

- SOLID BRASS
- HIGH LUMEN LED OPTIONS
- NATURAL BRONZE FINISH GUARANTEED NOT TO CHIP, FLAKE OR PEEL
- TEMPERED, SHOCK AND HEAT RESISTENT LENS
- FIELD REPLACEABLE LED LAMP
- DIMMABLE+

PRODUCT SPECIFICATIONS

MATERIAL	SOLID BRASS
LAMP	PAR36
VOLTAGE	12V AC/DC
PROJECTION	UP TO 50 FT
LEAD WIRE	3 FT

STEP 1

FIXTURE CONFIGURATION

FL-117B

FINISH

NBZ NATURAL BRONZE

STEP 2

LED LAMP CONFIGURATION

LED-PAR36

LED WATTAGE

6W 630 LM

10W 930 LM

KELVIN TEMPERATURE

27K 2700K

30K 3000K

STEP 3

ACCESSORY OPTIONS

AX-800P

INCLUDED

STAKE OPTION

AX-800P STANDARD SLOTTED STAKE

AX-802P HEAVY DUTY PERMA POST

SURFACE/TREE MOUNT OPTION

AX-803B DEEP ROUND BASE (NBZ)

AX-804B ROUND BASE (NBZ)

AX-912B TREE STRAP-RATCHET MOUNT

+ Dimmable: See PAR36 LED Lamps Spec Sheet for additional details