



PROJECT	DATE
TYPE	CATALOG #

LITTLE SMOKY

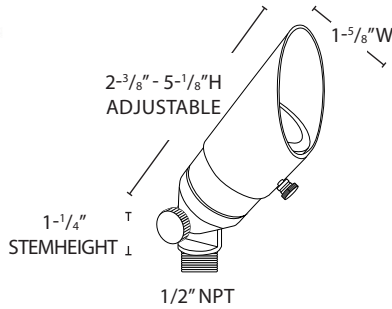
FL-104B

KEY FEATURES

- FULLY ADJUSTABLE SHROUD FOR GLARE CONTROL
- CAST BRASS
- NATURAL BRONZE FINISH GUARANTEED NOT TO CHIP, FLAKE OR PEEL
- TEMPERED, SHOCK AND HEAT RESISTENT LENS
- HIGH TEMPERATURE CERAMIC SOCKET
- FIELD REPLACEABLE LED LAMP
- DIMMABLE+

PRODUCT SPECIFICATIONS

MATERIAL	CAST BRASS
LENS	CLEAR FLAT TEMPERED
SOCKET	BI PIN
LAMP	MR11
VOLTAGE	12V AC/DC
PROJECTION	UP TO 20 FT
LEAD WIRE	3 FT



ETL LISTED
COMPLIES WITH UL1838

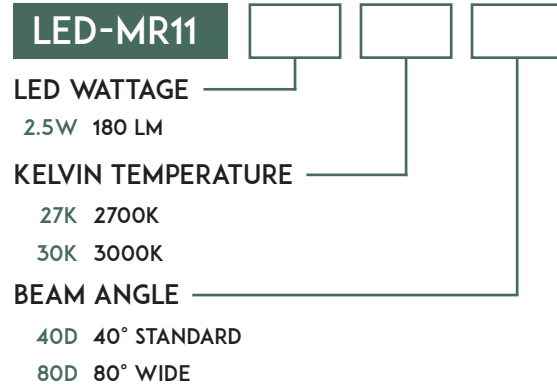
STEP 1

FIXTURE CONFIGURATION



STEP 2

LED LAMP CONFIGURATION



STEP 3

ACCESSORY OPTIONS



STAKE OPTION

- AX-800P STANDARD SLOTTED STAKE
- AX-802P HEAVY DUTY PERMA POST

SURFACE/TREE MOUNT OPTION

- AX-803B DEEP ROUND BASE (NBZ)
- AX-804B ROUND BASE (NBZ)
- AX-912B TREE STRAP-RATCHET MOUNT

+ Dimmable: See MR11 LED Lamps Spec Sheet for additional details