



PROJECT	DATE
TYPE	CATALOG #

E17 ARCHITECTURAL STRING

BK-E17

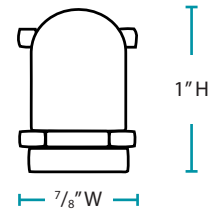


STRING DIMENSIONS

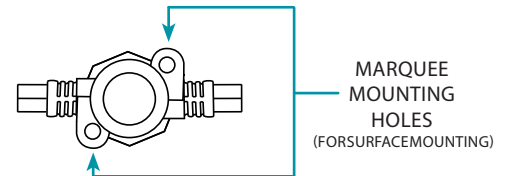


+ String and lamps are sold separately

SOCKET DIMENSIONS



SOCKET TOP VIEW



KEY FEATURES

- UV RESISTANT MATERIALS
- PVC SOCKET FORMS A TIGHT WATER SEAL
- COMMERCIAL GRADE
- SPECIFY CUSTOM CUTS BY THE FOOT
- FIELD CUTTABLE BETWEEN SOCKETS
- 2 YEAR LIMITED WARRANTY
- ETL LISTED
- INTENDED FOR LAMP-DOWN APPLICATIONS ONLY

*Check with local building and safety inspectors for specific requirements

**Lightcraft recommends the use of guy wire for runs of 35' or more

PRODUCT SPECIFICATIONS

MATERIAL	SPT-2
WIRE COLOR	BLACK
WIRE GAUGE	16 AWG
SOCKET	E17 (INTERMEDIATE BASE)
MAX WATTAGE	15W PER SOCKET
12V MAX RUN	200 FT
120V MAX RUN	300 FT (1200 WATT MAX)
SPACING	15" BETWEEN SOCKETS
VOLTAGE	12V OR 120V
12V WIRING	DIRECT TO LOW VOLTAGE TRANSFORMER
120V WIRING	HARD WIRE OR SPECIFY POWER PLUG (PART: BK-PWR-MALE)
CERTIFICATION	ETL WET LOCATION



PROJECT	DATE
TYPE	CATALOG #

G50 LAMPS (OUTDOOR/INDOOR RATED)



Lightcraft Outdoor's LED Filament Collection offers a dimmable 1W vintage style filament LED with an antique 2400K warm white light output. Available in 12VAC to easily integrate with your low voltage landscape lighting system. Also available in 120VAC.

12V FILAMENT LED



LED-BK-G50-1-12-FIL

WATTAGE	1W
KELVIN	2400K
LUMENS	45
DIMMABLE	YES*
VOLTAGE	11V AC - 13V AC
BASE	INTERMEDIATE (E17)

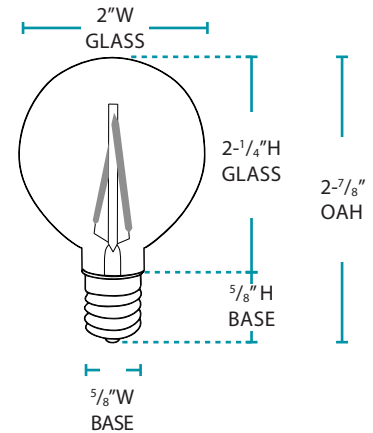
120V FILAMENT LED



LED-BK-G50-1-120-FIL

WATTAGE	1W
KELVIN	2400K
LUMENS	100
DIMMABLE	YES
VOLTAGE	120V AC
BASE	INTERMEDIATE (E17)

G50 LAMP DIMENSIONS



Dimensions for all G50 lamps on this page.

***PRIMARY SIDE DIMMING:** Requires LED magnetic low voltage (MLV) or LED electronic low voltage (ELV) dimmable transformer and compatible LED dimmer (MLV OR ELV) For more information see installation guidelines
 + Fully tested with Lutron Diva (DVLV-600P) dimmer and Lightcraft dimmable transformers

***LOW VOLTAGE SIDE DIMMING:** Requires Lightcraft 12V In Line Dimmer

MOUNTING INSTALLATION ACCESSORIES

GALVANIZED AIRCRAFT CABLE



MODEL	BK-CABLE-1/16
MATERIAL	GALVANIZED
DIAMETER	1/16" (7X7)
STRENGTH	480 LBS RATING
ROLL SIZE	250 FT

MODEL	BK-CABLE-1/8
MATERIAL	GALVANIZED
DIAMETER	1/8" (7X7)
STRENGTH	1700 LBS RATING
ROLL SIZE	RATING

CABLE WIRE CLAMPS



MODEL	BK-CABLE-CLAMP-1/16
MATERIAL	GALVANIZED

MODEL	BK-CABLE-CLAMP-1/8
MATERIAL	GALVANIZED

WIRE TIES (SS)



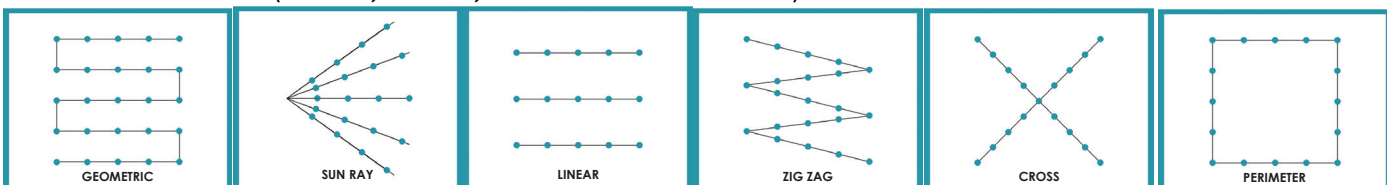
MODEL	BK-TIES-SS
MATERIAL	STAINLESS STEEL
LENGTH	5"
WIDTH	1/6"
STRENGTH	150 LBS RATING
QTY PACK	100

WIRE TIES (NYLON)



MODEL	BK-TIES-BK
MATERIAL	HEAVY DUTY NYLON
LENGTH	8"
WIDTH	1/3"
STRENGTH	120 LBS RATING
QTY PACK	100

DESIGN IDEAS (POSTS, POLES, HOOKS NOT SUPPLIED)





PROJECT	DATE
TYPE	CATALOG #

SUBMITTAL SHEET

STEP 1

FIXTURE CONFIGURATION

LENGTH	MODEL
<input type="text"/> ft.	<input type="text"/>
Specify per foot	BK-E17 Intermediate Socket

STANDARD STRING CUT

- All bistro string comes in Black finish.
- Each string has 1ft. before the first socket with a pigtail for hard wire (12v or 120v).
- Each string has 1ft. after the last socket with a sealed looped end. FOR ADDITIONAL 12V LEAD (BK-LEAD) OR 120V POWER PLUG (BK-PWR-MALE) PLEASE SPECIFY IN STEP 2

STEP 2

LEAD CONFIGURATION

MODEL	LEAD LENGTH
<input type="text"/>	<input type="text"/> ft.
BK-LEAD Lead Wire (per ft.) BK-PWR-MALE 8 ft. Male Plug	Specify per foot for BK-LEAD

LEAD ORDERING INFO

- All leads and power plugs are factory sealed and installed
- BK-PWR-MALE is for 120V installs at receptacles FOR ADDITIONAL 12V LEAD (BK-LEAD) OR 120V POWER PLUG (BK-PWR-MALE) PLEASE SPECIFY IN STEP 2

STEP 3

LAMP CONFIGURATION

QTY	MODEL
<input type="text"/>	<input type="text"/>
12V OPTIONS	
	LED-BK-G50-1-12-FIL 1W Filament LED - 2400K
120V OPTIONS	
	LED-BK-G50-1-120-FIL 1W Filament LED - 2400K

LAMP QUANTITY CALCULATION

1. Enter how many linear feet of string you are ordering.
2. Multiply by 12 (inches in a foot) and divide by 15 (inches per socket)
3. This will give you the amount of lamps you need.
(Note: Recommended to order a few extra lamps per run)

$$\frac{\text{String Ordered (ft.)} \times 12 \text{ (Inches (Per ft.))}}{15 \text{ (Socket Spacing (Inches))}} = \text{Lamps Needed}$$

STEP 4

ACCESSORY OPTIONS

QTY	MODEL
<input type="text"/> ft.	<input type="text"/>
Sold by the foot	BK-CABLE-GS-1/16 BK-CABLE-GS-1/8
<input type="text"/>	<input type="text"/>
Sold individually	BK-CABLE-CLAMP-1/16 BK-CABLE-CLAMP - 1/8

QTY	MODEL
<input type="text"/>	<input type="text"/>
	BK-TIES-SS Stainless Steel Cable Ties (100 QTY Pack)
<input type="text"/>	<input type="text"/>
	BK-TIES-BK Heavy Duty Nylon Ties (100 QTY Pack)