



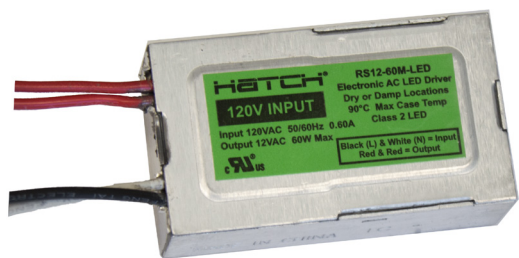
PROJECT	DATE
TYPE	CATALOG #

60W TRANSFORMER

120V AC TO 12V AC
TR-IL-60-MINI-LED

KEY FEATURES

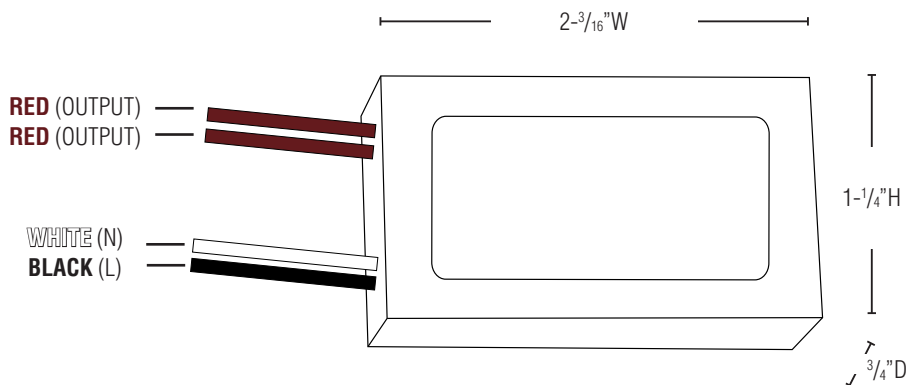
- ELECTRONIC TRANSFORMER
- DRY AND DAMP LOCATION COMPATIBLE
- DIMMABLE WITH ELV DIMMER
- NO MINIMAL LOAD WITH FULL RANGE DIMMING
- ROHS COMPLIANT
- EMC: MEETS FCC47 CFR PART 15 (CLASS B) CONSUMER LIMITS - FCC MODEL ONLY
- SURGE: MEETS NEMA SSL1-2010
- SHORT CIRCUIT PROTECTION



PRODUCT SPECIFICATIONS

MATERIAL	ALUMINUM
WATTAGE	60W
VOLTAGE TAPS	12VAC
INPUT VOLTAGE	120VAC
AMBIENT TEMP	-20° TO 50° C
MAX CASE TEMP	90°C
LEAD WIRE	6" (18 AWG STRANDED)

DIMENSIONS / WIRING SPECIFICATIONS



Revised 09/18