



PROJECT	DATE
TYPE	CATALOG #

MINI FLUSH LIGHTER

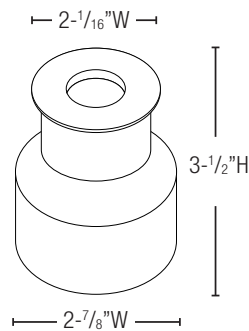
IG-601-1

KEY FEATURES

- FLUSH TO GRADE / DRIVE OVER RATED (1500 LBS)
- IDEAL FOR HARDSCAPES AND DRIVEWAYS
- 316 STAINLESS STEEL
- TEMPERED, SHOCK AND HEAT RESISTENT LENS
- INCLUDES CONCRETE POUR SLEEVE
- INSTALL WITHOUT POUR SLEEVE FOR ADDITIONAL FLUSH APPLICATIONS

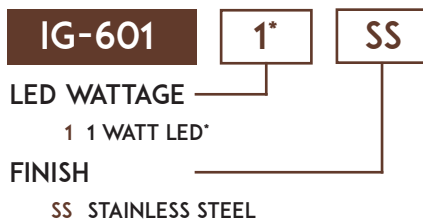
PRODUCT SPECIFICATIONS

MATERIAL	316 STAINLESS STEEL / PVC
LENS	FROST
LED	1W* INTEGRATED
LUMENS	80
VOLTAGE	11-13V AC/DC
DIMMABLE	NO
LEAD WIRE	32"
PROJECTION	UP TO 15 FT



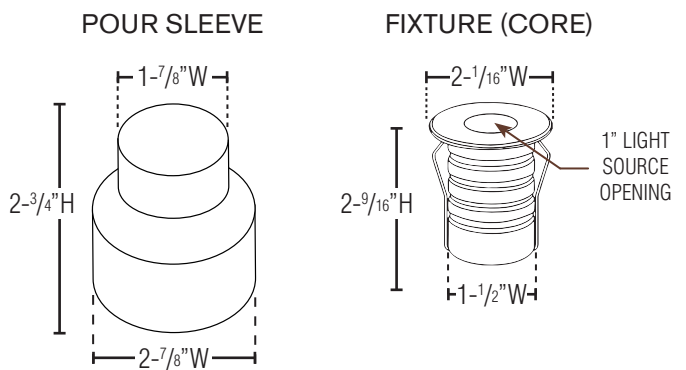
STEP 1

FIXTURE CONFIGURATION



* 1 Watt LED (80 Lumens) - 3000K - 45 Degree

FIXTURE COMPONENTS



ADDITIONAL INSTALLS

You can install the core (right) without the pour sleeve.

Installations include: walls, ceilings or floors



+ PVC Pour Sleeve Included (2-7/8" cut out)



PROJECT	DATE
TYPE	CATALOG #

INSTALLATION INSTRUCTIONS

Pre-Installation Guidelines

All In Ground fixtures must be installed to drain water away from the fixture. We recommend using pea gravel or sand as this will allow for superior drainage.

1 DIG HOLE & PLACE WIRE

- Dig hole(s) at the location of each fixture. Remove enough soil to install fixture allowing 8" of pea gravel or sand for drainage.

Recommended

Dig trench for flexible conduit running to the fixture. This will allow you to easily service the fixture.

- Feed your low voltage cable from the main line to where you are placing your pour sleeve.
- Place pour sleeve into the hole.

2 FILL HOLE

- Fill hole with pea gravel to ensure proper fit and drainage.

Concrete Install

Fill pea gravel allowing 2" for concrete pour. Pour concrete using standard masonry techniques.

3 SECURE WIRE CONNECTIONS & TEST

- Connect your low voltage cable from your main line to the fixture core using silicone filled wire connectors.
- Test to make sure your fixture is receiving power prior to the next step.

4 SEAL CORE & RING

- Once the fixture core is wired, place into the pour sleeve.
- Use silicone between the bottom of the stainless steel trim and surface for an added seal.
- Power your fixture.