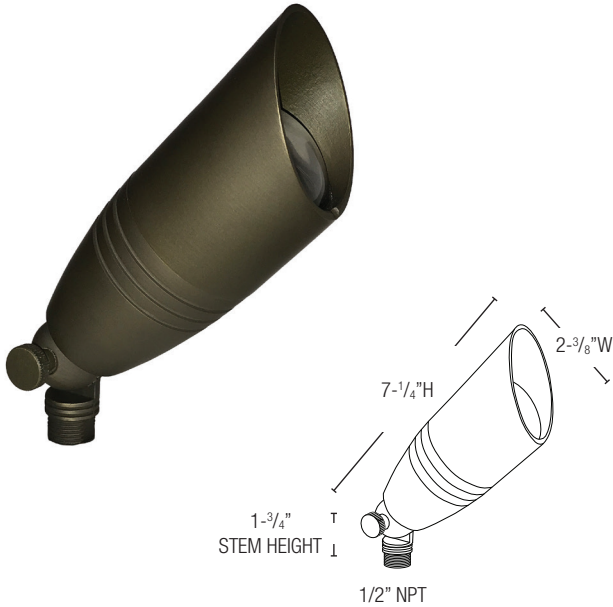




PROJECT	DATE
TYPE	CATALOG #



# CONVEX 16

## FL-500B

### KEY FEATURES

- HEAVY CAST BRASS
- NATURAL BRONZE FINISH GUARANTEED NOT TO CHIP, FLAKE OR PEEL
- DIMMABLE\*
- TEMPERED, SHOCK AND HEAT RESISTENT LENS
- HIGH TEMPERATURE CERAMIC SOCKET
- FIELD REPLACEABLE LED LAMP

### PRODUCT SPECIFICATIONS

MATERIAL	CAST BRASS
LENS	CLEAR CONVEX
SOCKET	BI PIN
LAMP	MR16
VOLTAGE	9-15V AC/DC
PROJECTION	UP TO 50 FT
LEAD WIRE	3 FT

### STEP 1

#### FIXTURE CONFIGURATION

**FL-500B**

FINISH

NBZ NATURAL BRONZE

### STEP 3

#### ACCESSORY OPTIONS

**AX-800P**

INCLUDED

STAKE OPTION

AX-800P STANDARD SLOTTED STAKE

AX-802P HEAVY DUTY PERMA POST

SURFACE/TREE MOUNT OPTION

AX-803B DEEP ROUND BASE (NBZ)

AX-804B ROUND BASE (NBZ)

### STEP 2

#### LED LAMP CONFIGURATION

**LED-MR16**

LED WATTAGE

3.5W 280 LM

4.5W 320 LM

5.5W 420 LM

6.5W 470 LM

KELVIN TEMPERATURE

27K 2700K

30K 3000K

41K 4100K\*

55K 5500K\*

BEAM ANGLE

15D 15° NARROW \*\*

45D 45° STANDARD

60D 60° WIDE

\* Dimmable: See MR16 LED Lamps Spec Sheet for additional details  
 \* Available in 45° only  
 \*\* Available in 3.5w & 5.5w, 3000K only

+ See accessory spec sheet for additional mounting options