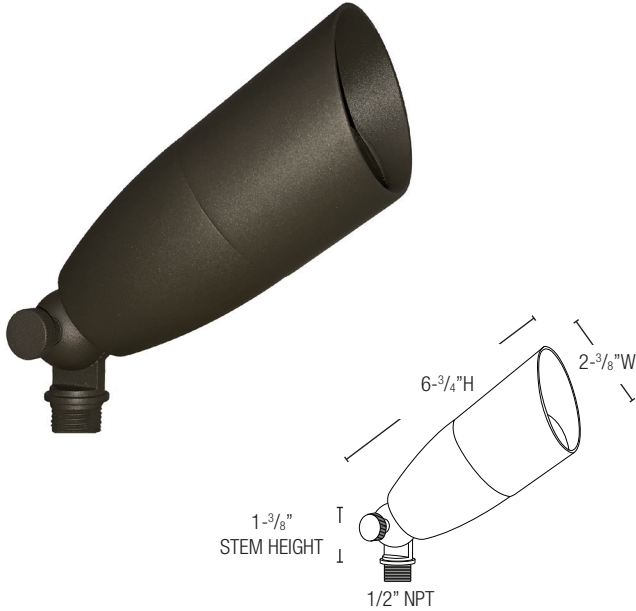




PROJECT	DATE
TYPE	CATALOG #



SLEEK LITER FL-418A

KEY FEATURES

- CAST ALUMINUM
- TEMPERED, SHOCK AND HEAT RESISTENT LENS
- DIMMABLE*
- HIGH TEMPERATURE CERAMIC SOCKET
- FIELD REPLACEABLE LED LAMP

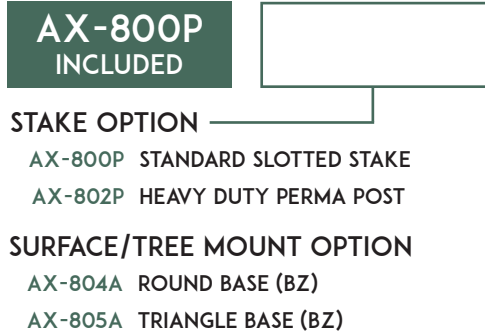
PRODUCT SPECIFICATIONS

MATERIAL	CAST ALUMINUM
LENS	CLEAR FLAT TEMPERED
SOCKET	BI PIN
LAMP	MR16
VOLTAGE	9-15V AC/DC
PROJECTION	UP TO 50 FT
LEAD WIRE	3 FT

STEP 1 FIXTURE CONFIGURATION

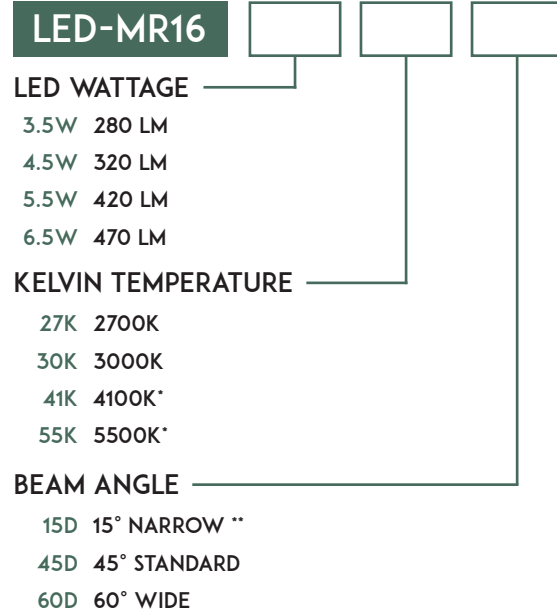


STEP 3 ACCESSORY OPTIONS



+ See accessory spec sheet for additional mounting options

STEP 2 LED LAMP CONFIGURATION



* Dimmable: See MR16 LED Lamps Spec Sheet for additional details
 * Available in 45° only
 ** Available in 3.5w & 5.5w, 3000K only