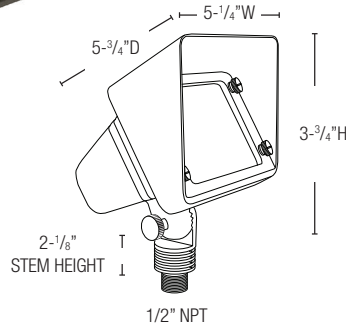




PROJECT	DATE
TYPE	CATALOG #



COHIBA

FL-115B

KEY FEATURES

- HEAVY CAST BRASS
- NATURAL BRONZE FINISH GUARANTEED NOT TO CHIP, FLAKE OR PEEL
- DIMMABLE*
- TEMPERED, SHOCK AND HEAT RESISTENT LENS
- HIGH TEMPERATURE CERAMIC SOCKET
- FIELD REPLACEABLE LED LAMP

PRODUCT SPECIFICATIONS

MATERIAL	CAST BRASS
LENS	CLEAR AND FROST INCLUDED
SOCKET	BI PIN
LAMP	MR16
VOLTAGE	9-15V AC/DC
PROJECTION	UP TO 50 FT
LEAD WIRE	3 FT

STEP 1

FIXTURE CONFIGURATION



STEP 3

ACCESSORY OPTIONS



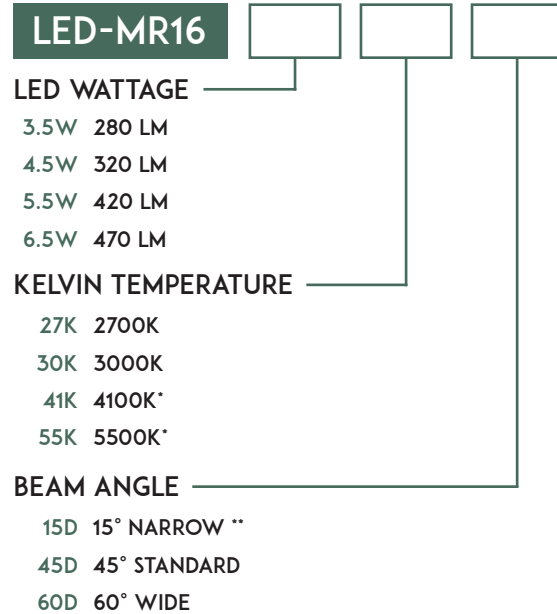
SURFACE/TREE MOUNT OPTION

- AX-803B DEEP ROUND BASE (NBZ)
- AX-804B ROUND BASE (NBZ)

+ See accessory spec sheet for additional mounting options

STEP 2

LED LAMP CONFIGURATION



* Dimmable: See [MR16 LED Lamps Spec Sheet](#) for additional details
 * Available in 45° only
 ** Available in 3.5w & 5.5w, 3000K only