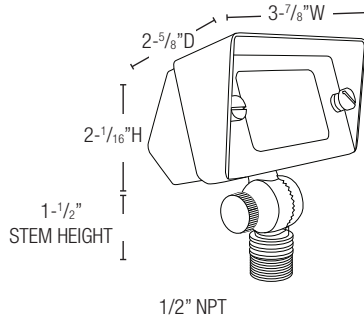




PROJECT	DATE
TYPE	CATALOG #

# MATADOR WALL WASHER

FL-114B



## KEY FEATURES

- CAST BRASS
- NATURAL BRONZE FINISH GUARANTEED NOT TO CHIP, FLAKE OR PEEL
- TEMPERED, SHOCK AND HEAT RESISTENT LENS
- HIGH TEMPERATURE CERAMIC SOCKET
- FIELD REPLACEABLE LED LAMP

## PRODUCT SPECIFICATIONS

MATERIAL	CAST BRASS
LENS	CLEAR AND FROST INCLUDED
SOCKET	BI PIN
LAMP	T3/G4
VOLTAGE	9-18V AC/DC
PROJECTION	4 FT X 8 FT @ 4 FT PLACEMENT
LEAD WIRE	3 FT

### STEP 1

#### FIXTURE CONFIGURATION

**FL-114B**

FINISH

NBZ NATURAL BRONZE

### STEP 3

#### ACCESSORY OPTIONS

**AX-800P**

INCLUDED

STAKE OPTION

AX-800P STANDARD SLOTTED STAKE

AX-802P HEAVY DUTY PERMA POST

SURFACE/TREE MOUNT OPTION

AX-803B DEEP ROUND BASE (NBZ)

AX-804B ROUND BASE (NBZ)

+ See accessory spec sheet for additional mounting options

### STEP 2

#### LED LAMP CONFIGURATION

**LED-T3**

LED WATTAGE

1.5W 110 LM

2.5W 210 LM

3.5W 280 LM

5W\* 400 LM

6W\* 480 LM

KELVIN TEMPERATURE

27K 2700K

30K 3000K

ENCAPSULATED

ENC ENCAPSULATED (IP67)

ONLY AVAILABLE IN 1.5W, 2.5W & 3.5W

+ Dimmable: See [Encapsulated T3 LED Lamps Spec Sheet](#) for additional details (1.5w, 2.5w, 3.5w only)

\* 5w & 6w: Available in Non-Encapsulated - 3000K only (Non-Dimmable)