



PROJECT	DATE
TYPE	CATALOG #

L PATH

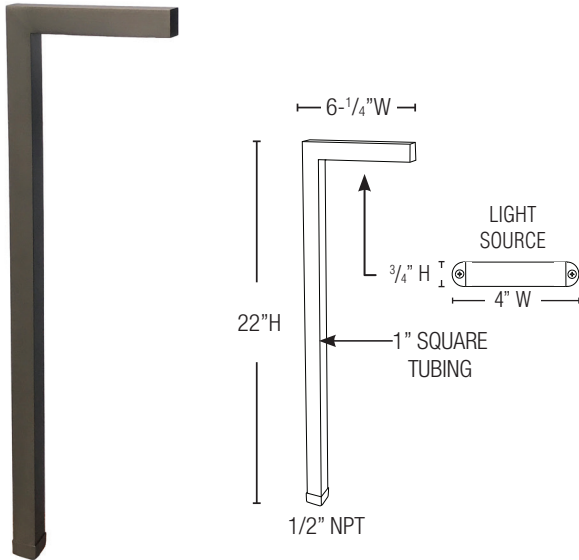
AP-300B

KEY FEATURES

- CONTEMPORARY DESIGN
- SOLID BRASS
- REFLECTIVE WHITE COATING FOR MAXIMUM LIGHT OUTPUT
- UV PROTECTED FROSTED ACRYLIC LENS
- HIGH TEMPERATURE SOCKET
- FIELD REPLACEABLE LED

PRODUCT SPECIFICATION

DIMENSIONS	22" H X 6-1/4" W X 1" SQUARE TUBING
LENS	FROSTED ACRYLIC
SOCKET	BI PIN
LAMP	ENCAPSULATED T3/G4
VOLTAGE	9-18V AC/DC
LIGHT SPREAD	6-8 FT AVG
LEAD WIRE	3 FT



STEP 1

FIXTURE CONFIGURATION

AP-300B

FINISH OPTION

NBZ NATURAL BRONZE

SS STAINLESS STEEL

STEP 2

LED LAMP CONFIGURATION

LED-T3

LED WATTAGE

1.5W 110 LM

2.5W 210 LM

3.5W 280 LM

KELVIN TEMPERATURE

27K 2700K

30K 3000K

ENCAPSULATED

ENC ENCAPSULATED (IP67)

STEP 3

ACCESSORY OPTIONS

AX-800P

INCLUDED

STAKE OPTION

AX-800P STANDARD SLOTTED STAKE

AX-802P HEAVY DUTY PERMA POST

+ Dimmable: See [ENCAPSULATED T3 LED Lamps Spec Sheet](#) for additional details (1.5w, 2.5w, 3.5w only)