



PROJECT	DATE
TYPE	CATALOG #

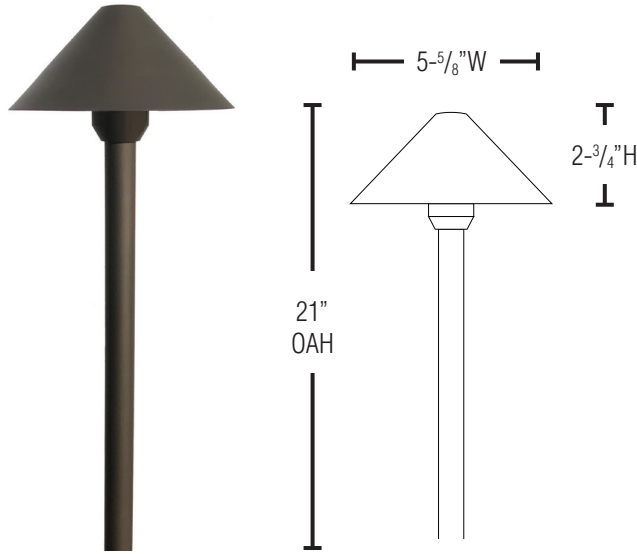
LUCE 5 AP-111B

KEY FEATURES

- SOLID BRASS WITH SMOOTH SHADE
- NATURAL BRONZE FINISH GUARANTEED NOT TO CHIP, FLAKE OR PEEL
- TEMPERED, SHOCK AND HEAT RESISTENT LENS
- HIGH TEMPERATURE CERAMIC SOCKETS
- FIELD REPLACEABLE LED LAMPS

PRODUCT SPECIFICATIONS

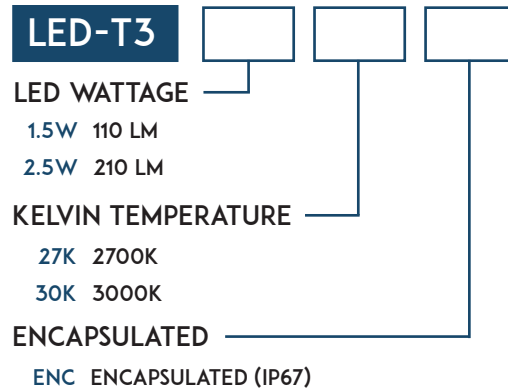
MATERIAL	SOLID BRASS
GLASS	FROST DIFFUSER
LAMP/SOCKET	T3/G4
VOLTAGE	9-15V AC/DC
LIGHT SPREAD	6 FT AVG



STEP 1 FIXTURE CONFIGURATION



STEP 2 LED LAMP CONFIGURATION



STEP 3 ACCESSORY OPTIONS



* Dimmable: See [ENCAPSULATED T3 LED Lamps Spec Sheet](#) for additional details