



## Lightcraft Outdoor Environments Specification Features

### MR16 Specifier Stainless Steel Bullet

#### Key Features:

- Stainless steel material
- Tempered, shock and heat resistant lens.
- High temperature socket.
- Angle or Flat Snoot Option

**Halogen:** FL-501SS-MR16

**LED:** FL-501SS-MR16

#### Halogen

**Model#:** FL-501SS-MR16

**Size:** 5 1/2" w x 2 1/4" h

**Material:** Stainless Steel

**Finish:** Stainless Steel

**Mounting:** 1/2" NPT stake included

**Lens:** Tempered Flat Clear

**Max Lamp:** 35W MR16-Not Included

**Electrical:** 12V AC

**Light Spread:** Up to 30 ft. x 40 degree

**Lumens:** 525 avg.

**Lamp Life:** 4,000 hours avg.

**Snoot:** Angle or Flat Option

#### LED

**Model#:** FL-501SS-MR16-LED

**Size:** 5 1/2" w x 2 1/4" h

**Material:** Stainless Steel

**Finish:** Stainless Steel

**Mounting:** 1/2" NPT stake included

**Lens:** Tempered Flat Clear

**Electrical:** 9v – 15v AC

**Max Lamp:** 5.5w MR16-LED

**Kelvin:** 3000k, Warm White-Standard

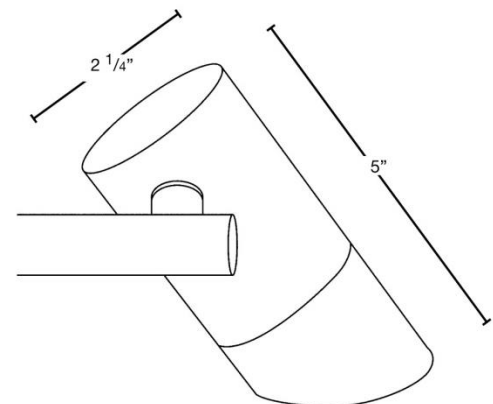
**Compare to:** 42w

**Light Spread:** Up to 30 ft. x 40 degree

**Lumens:** 430 avg.

**Lamp Life:** 30,000 hours avg.

**Snoot:** Angle or Flat Option



9811 Owensmouth Ave. Unit 1 Chatsworth, CA 91311  
818.349.2663 Phone \* 818-349-2676 Fax  
sales@lightcraftoutdoor.com