



Lightcraft Outdoor Environments

Specification Features

Sleek Composite- MR16

Key Features:

- Cast aluminum material with a bronze or black finish.
- Tempered, shock and heat resistant lens.
- High temperature socket.
- O Ring Seal construction (tool-less).

Halogen: FL-418P-MR16

LED: FL-418P-MR16-LED

Halogen

Model#: FL-418P-MR16

Size: 6 ¼" w x 2 ½" h

Material: Composite

Finish: Bronze or Black

Mounting: ½" NPT stake included

Lens: Clear Tempered

Max Lamp: 20W MR16-Not Included

Electrical: 12V AC

Light Spread: Up to 30 ft. x 40 degree

Lumens: 300 avg.

Lamp Life: 4,000 hours avg.



FL-418P-MR16

LED

Model#: FL-418P-MR16-LED

Size: 6 ¼" w x 2 ½" h

Material: Composite

Finish: Bronze or Black

Mounting: ½" NPT stake included

Lens: Clear Tempered

Electrical: 9v – 15v AC

Max Lamp: 5.5w MR16-LED

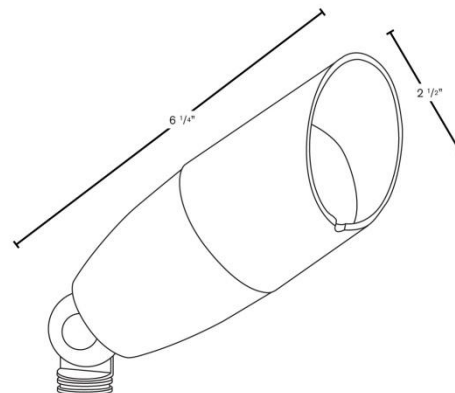
Kelvin: 3000k, Warm White-Standard

Compare to: 42w

Light Spread: Up to 30 ft. x 40 degree

Lumens: 430 avg.

Lamp Life: 30,000 hours avg.



1/2" npt

9811 Owensmouth Ave. Unit 1 Chatsworth, CA 91311
818.349.2663 Phone * 818-349-2676 Fax
sales@lightcraftoutdoor.com