



Halogen: FL-175B-MR16

LED: FL-175B-MR16-LED

Halogen

Model#: FL-175B-MR16

Size: 9 1/2" h x 4 3/4" w

Material: Cast Brass

Finish: Natural Bronze

Mounting: 1/2" NPT stake included

Lens: Clear Flat Tempered

Electrical: 12V AC

Max Lamp: 75w-Not Included

Light Spread: 50 x 50 @ 10 ft.

Lumens: 300 avg.

Lamp Life: 4,000 hours avg.

LED

Model#: FL-175B-MR16-LED

Size: 4" w x 2 1/2" h x 3" d

Material: Cast Brass

Finish: Natural Bronze

Mounting: 1/2" NPT stake included

Lens: Frost and Clear

Electrical: 9v – 15v AC

Max Lamp: 6.5W MR16

Kelvin: 3000k, Warm White-Standard

Compare to: 50w

Light Spread: 50 x 50 @ 10 ft.

Lumens: 520 avg.

Lamp Life: 30,000 hours avg.

Lightcraft Outdoor Environments

Specification Features

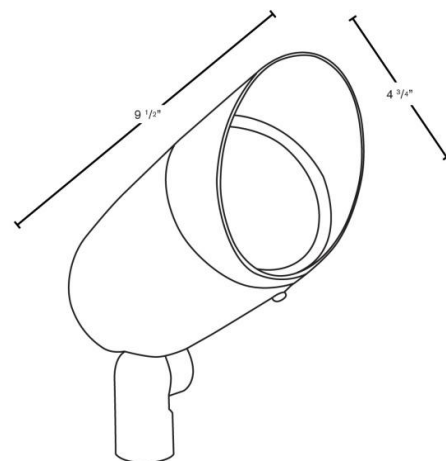
Luna Grande-MR16

Key Features:

- Solid cast brass material with natural bronze finish.
- Tempered, shock and heat resistant lens.
- High temperature socket.
- O Ring seal construction (tool-less).



FL-175B-MR16



1/2" npt

9811 Owensmouth Ave. Unit 1 Chatsworth, CA 91311
818.349.2663 Phone * 818-349-2676 Fax
sales@lightcraftoutdoor.com