



Halogen: FL-121A-MR16
LED: FL-121A-MR16-LED

Halogen

Model#: FL-121A-MR16
Size: 5 7/8" h x 3" w
Material: Cast Aluminum
Finish: Bronze or Black
Mounting: 1/2" NPT stake included
Lens: Clear tempered
Electrical: 12V AC
Max Lamp: 20W Halogen- Not Included
Light Spread: Up to 30 ft. x 40 degree
Lumens: 300 avg.
Lamp Life: 4,000 hours avg.

LED

Model#: FL-121A-MR16-LED
Size: 5 7/8" h x 3" w
Material: Cast Aluminum
Finish: Bronze or Black
Mounting: 1/2" NPT stake included
Lens: Clear tempered
Electrical: 9v – 15v AC
Max Lamp: 5.5W MR16- Not Included
Kelvin: 3000k, Warm White-Standard
Compare to: 42w
Light Spread: 8 ft. to 10 ft. avg.
Lumens: 440 avg.
Lamp Life: 30,000 hours avg.

Lightcraft Outdoor Environments

Specification Features

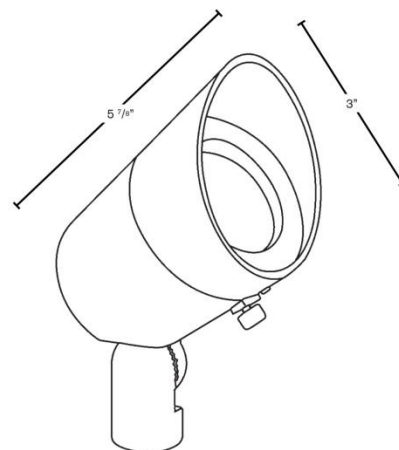
Palm Liter-MR16

Key Features:

- Cast Aluminum material with a bronze or black finish.
- Tempered, shock and heat resistant lens.
- High temperature socket.
- Threaded construction (tool-less).



FL-121A-MR16



1/2" npt

9811 Owensmouth Ave. Unit 1 Chatsworth, CA 91311
818.349.2663 Phone * 818-349-2676 Fax
sales@lightcraftoutdoor.com