



Halogen: FL-113B-T3

LED: FL-113B-T3-LED

Halogen

Model#: FL-113B-T3

Size: 2- 1/2" w x 4 1/2" h x 4 1/2" d

Material: Cast Brass

Finish: Natural Bronze

Mounting: 1/2" NPT stake included

Lens: Frost, Linear and Clear Included

Electrical: 12V AC

Lamp: 20W T3

Light Spread: 4ft. x 8ft. @ 4ft. placement

Lumens: 525 avg.

Max Lamp: 35W T3

Lamp Life: 4,000 hours avg.

LED

Model#: FL-113B-T3-LED

Size: 2- 1/2" w x 4 1/2" h x 4 1/2" d

Material: Cast Brass

Finish: Natural Bronze

Mounting: 1/2" NPT stake included

Lens: Frost, Linear and Clear Included

Electrical: 9v – 15v AC

Lamp: 2-4W T3

Kelvin: 2700k, Warm White-Standard

Compare to: 10w

Light Spread: 4ft. x 8ft. @ 4ft. placement

Lumens: 320 avg.

Max Lamp: 4w T3

Lamp Life: 30,000 hours avg.

Lightcraft Outdoor Environments

Specification Features

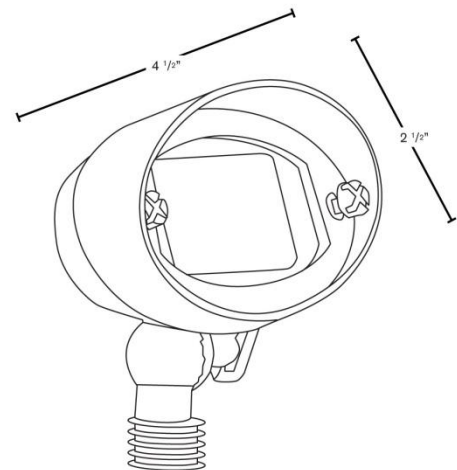
E.T. Wall Washer - T3

Key Features:

- Solid cast brass material with natural bronze finish.
- Tempered, shock and heat resistant lens.
- High temperature socket.
- Includes Frost, Linear and Clear Lenses
- O Ring seal (tool-less).



FL-113B-T3



1/2" npt