



Lightcraft Outdoor Environments

Specification Features

Mica Side Stem Path Light- Amber

Key Features:

- Solid Brass material with natural bronze finish.
- High temperature socket.
- Threaded construction (tool-less).

Please Specify Opal or Amber Glass Color

Halogen: AP-S-21B-SC- Amber

LED: AP-S-21B-SC-Amber-LED

Halogen

Model#: AP-S-21B-SC

Size: 8"w x 27 1/2"h

Material: Solid Brass

Finish: Natural Bronze

Mounting: 1/2" NPT stake included

Lens: Heavy Art Glass

Lamp: 13W SC Bayonet

Max Lamp: 26W SC Bayonet

Electrical: 12V AC

Light Spread: 8 ft. - 10 ft. avg.

Lumens: 195 avg.

Lamp Life: 4,000 hours avg.

LED

Model#: AP-S-21B-SC-LED

Size: 8"w x 27 1/2"h

Material: Solid Brass

Finish: Natural Bronze

Mounting: 1/2" NPT stake included

Lens: Heavy Art Glass

Electrical: 9v – 15v AC

Lamp: 2W SC Bay-LED

Max Lamp: 4w SC Bay-LED

Kelvin: 3000k, Warm White-Standard

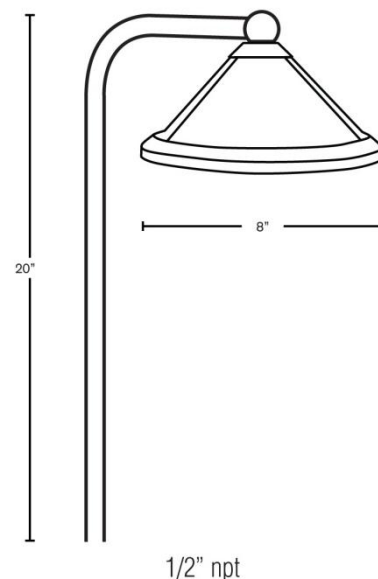
Compare to: 12w

Light Spread: 8ft. avg.

Lumens: 150 avg.

Lamp Life: 30,000 hours avg.

Option: Amber or Opal Glass



9811 Owensmouth Ave. Unit 1 Chatsworth, CA 91311

818.349.2663 Phone * 818-349-2676 Fax

sales@lightcraftoutdoor.com